
Tilt measurement using a low-g 3-axis accelerometer

Introduction

This application note describes tilt sensing theory and the methods of determining tilt angle measurement of a low-g 3-axis accelerometer. In general, the procedures described here may also be applied to 3-axis analog or digital accelerometers, depending on their respective specifications.

Contents

- 1 Calculating tilt angles 4**
 - 1.1 Theory of operation 4
 - 1.2 Tilt sensing 5
 - 1.2.1 Single-axis tilt sensing 5
 - 1.2.2 Dual-axis tilt sensing 6
 - 1.2.3 Tri-axis tilt sensing 7

- 2 Revision history 9**

List of figures

Figure 1.	Tilt measurement using a single axis of the accelerometer	4
Figure 2.	360° rotation of a single axis of the accelerometer	5
Figure 3.	Plot of 360° rotation of a single axis of the accelerometer	5
Figure 4.	Tilt sensitivity of a dual-axis accelerometer	6
Figure 5.	Tilt angles from a tri-axis accelerometer	7
Figure 6.	Tilt sensitivity of a tri-axis accelerometer	8

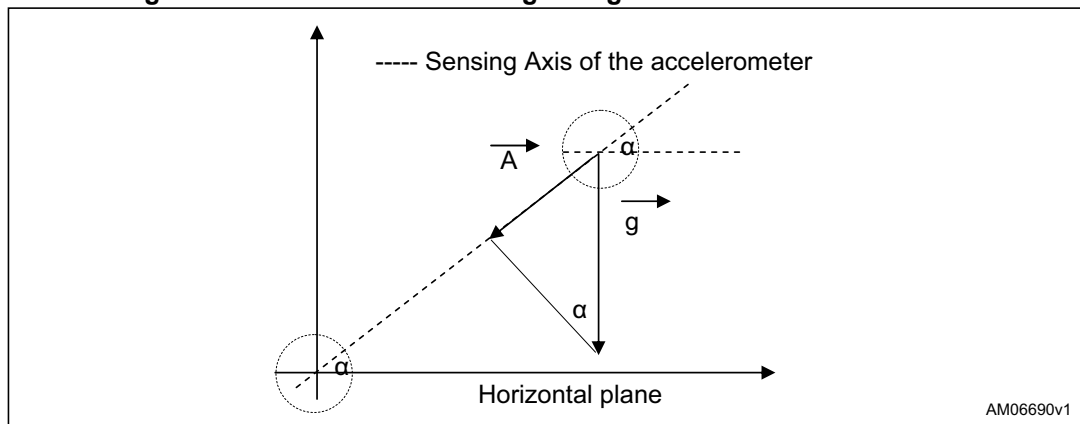
1 Calculating tilt angles

Low- g MEMS accelerometers are widely used for tilt sensing in consumer electronics and industrial applications, such as screen rotation and automobile security alert systems. Another popular application for low- g accelerometers is tilt-compensated electronic compasses for map rotation and personal navigation devices. This application note describes how to obtain accurate tilt measurements with respect to local Earth horizontal plane, by compensating for a few non idealities that may cause angular tilt calculation error. For detailed information and device specifications, refer to the respective accelerometer datasheet available at <http://www.st.com>. In general, 3-axis analog or digital accelerometers may also be used, in accordance with their respective specifications.

1.1 Theory of operation

Figure 1 shows the single sensing axis of the accelerometer for tilt measurement.

Figure 1. Tilt measurement using a single axis of the accelerometer



The accelerometer measures the projection of the gravity vector on the sensing axis. The amplitude of the sensed acceleration changes according to the sine of the angle α between the sensing axis and the horizontal plane.

Equation 1

$$A = g \times \sin(\alpha)$$

Using *Equation 1*, it is possible to estimate the tilt angle,

Equation 2

$$\alpha = \arcsin\left(\frac{A}{g}\right)$$

where:

- A = acceleration measured
- g = Earth's gravity vector

A single axis of the accelerometer with 360° rotation is shown in [Figure 2](#) and [3](#).

Figure 2. 360° rotation of a single axis of the accelerometer

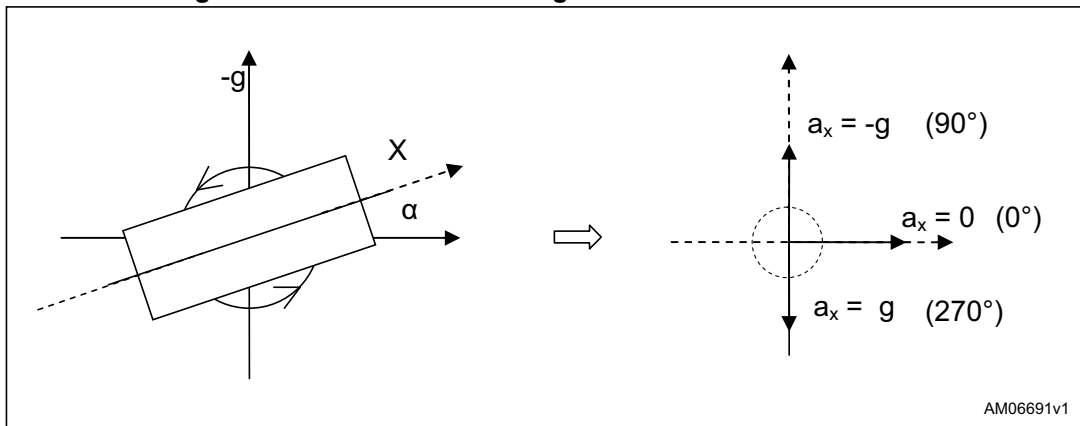
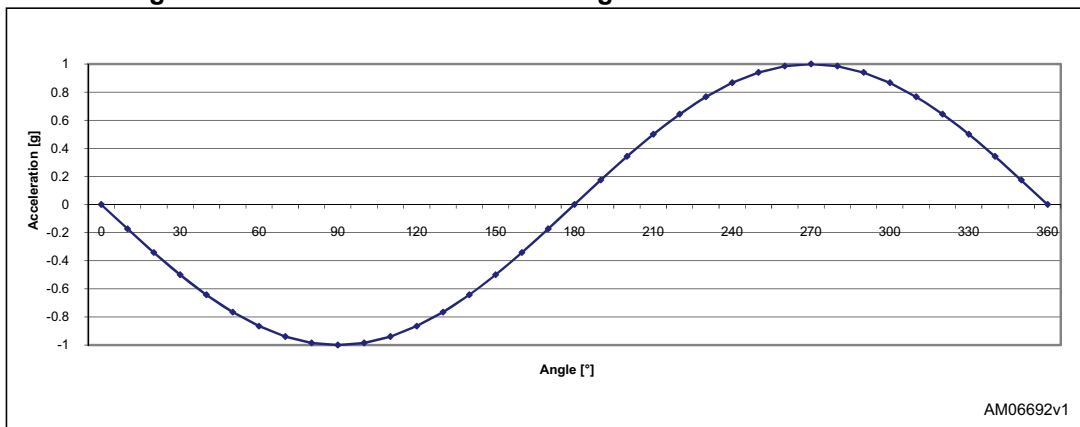


Figure 3. Plot of 360° rotation of a single axis of the accelerometer



1.2 Tilt sensing

1.2.1 Single-axis tilt sensing

From [Figure 2](#) and [3](#), it can be observed that the sensor is most responsive to changes in tilt angle when the sensing axis is perpendicular to the force of gravity. In this case, the sensitivity is approximately 17.45 mg/° [= $\sin(1^\circ) - \sin(0^\circ)$]. Due to the derivate function of the sine function, the sensor has lower sensitivity (less responsive to tilt angle changes) when the sensing axis is close to its $+1 \text{ g}$ or -1 g position. In this case, sensitivity is only 0.15 mg/° [= $\sin(90^\circ) - \sin(89^\circ)$]. [Table 1](#) shows the sensitivity at different tilt angles. In other words, the sine function has good linearity at $[0^\circ \text{ } 45^\circ]$, $[135^\circ \text{ } 225^\circ]$ and $[315^\circ \text{ } 360^\circ]$ as shown in [Figure 3](#).

Table 1. Tilt sensitivity of single axis accelerometer

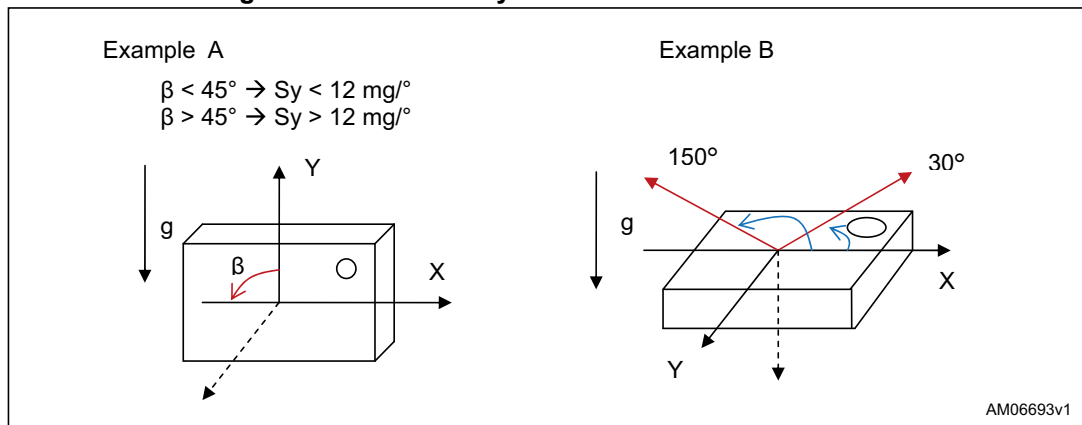
Tilt [°]	Acceleration [g]	$\Delta g / ^\circ$ [mg/°]
0	0.000	17.452
15	0.259	16.818
30	0.500	15.038
45	0.707	12.233
60	0.866	8.594
75	0.966	4.37
90	1.000	0.152

1.2.2 Dual-axis tilt sensing

When a dual-axis tilt sensing approach is used, the user should be aware of two different situations in which this approach could limit overall accuracy or even inhibit tilt calculation.

- Figure 4*, Example A: Rotate the accelerometer counter-clockwise around the dotted arrow with β angle. When β is less than 45° , the X-axis has higher sensitivity, while the Y-axis has lower sensitivity. And when β is greater than 45° , the X-axis has lower sensitivity while the Y-axis has higher sensitivity. Therefore, when the two-axis approach is used, it is always recommended to calculate the angle based on the orthogonal axis to a $\pm 1 g$ condition.
- Figure 4*, Example B: At this position, both the X and Y axes have high sensitivity. However, without the help of a third axis (for example the Z-axis), it is impossible to distinguish a tilt angle of 30° from one of 150° because the X-axis has the same outputs at these two tilt angles.

Figure 4. Tilt sensitivity of a dual-axis accelerometer



1.2.3 Tri-axis tilt sensing

With a 3-axis accelerometer, the user can use the Z-axis to combine with the X and Y axes for tilt sensing in order to improve tilt sensitivity and accuracy (see [Figure 5](#)).

There are two ways to calculate 3 tilt angles in [Figure 5](#). The first is to use basic trigonometric [Equation 3](#), [4](#) and [5](#), where A_{x1} , A_{y1} and A_{z1} are the values obtained after applying accelerometer calibration on raw measurement data (A_x , A_y , A_z):

Equation 3

$$\alpha = \arcsin\left(\frac{A_{x1}}{g}\right)$$

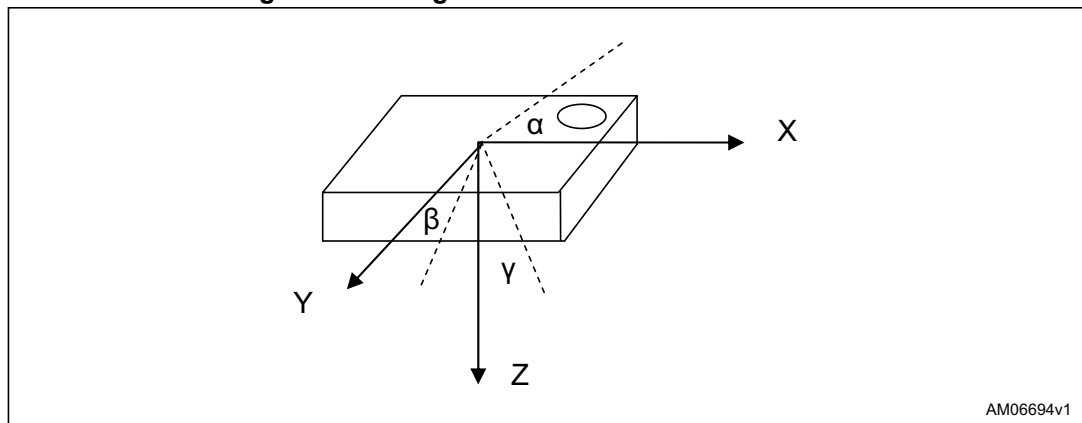
Equation 4

$$\beta = \arcsin\left(\frac{A_{y1}}{g}\right)$$

Equation 5

$$\gamma = \arccos\left(\frac{A_{z1}}{g}\right)$$

Figure 5. Tilt angles from a tri-axis accelerometer



The second way is to use trigonometric [Equation 6](#) and [7](#) to calculate pitch and roll tilt angle, which produces constant sensitivity over 360° of rotation, as shown in [Figure 6](#).

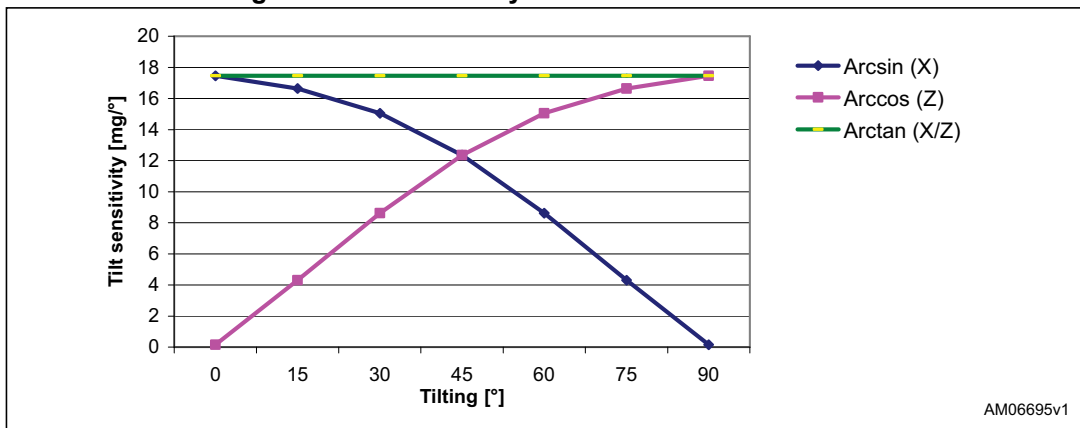
Equation 6

$$\text{Pitch} = \alpha = \arctan\left(\frac{A_{x1}}{\sqrt{(A_{y1})^2 + (A_{z1})^2}}\right)$$

Equation 7

$$\text{Roll} = \beta = \arctan\left(\frac{A_{y1}}{\sqrt{(A_{x1})^2 + (A_{z1})^2}}\right)$$

Figure 6. Tilt sensitivity of a tri-axis accelerometer



2 Revision history

Table 2. Document revision history

Date	Revision	Changes
10-Jun-2014	1	Initial release.

Please Read Carefully:

Information in this document is provided solely in connection with ST products. STMicroelectronics NV and its subsidiaries ("ST") reserve the right to make changes, corrections, modifications or improvements, to this document, and the products and services described herein at any time, without notice.

All ST products are sold pursuant to ST's terms and conditions of sale.

Purchasers are solely responsible for the choice, selection and use of the ST products and services described herein, and ST assumes no liability whatsoever relating to the choice, selection or use of the ST products and services described herein.

No license, express or implied, by estoppel or otherwise, to any intellectual property rights is granted under this document. If any part of this document refers to any third party products or services it shall not be deemed a license grant by ST for the use of such third party products or services, or any intellectual property contained therein or considered as a warranty covering the use in any manner whatsoever of such third party products or services or any intellectual property contained therein.

UNLESS OTHERWISE SET FORTH IN ST'S TERMS AND CONDITIONS OF SALE ST DISCLAIMS ANY EXPRESS OR IMPLIED WARRANTY WITH RESPECT TO THE USE AND/OR SALE OF ST PRODUCTS INCLUDING WITHOUT LIMITATION IMPLIED WARRANTIES OF MERCHANTABILITY, FITNESS FOR A PARTICULAR PURPOSE (AND THEIR EQUIVALENTS UNDER THE LAWS OF ANY JURISDICTION), OR INFRINGEMENT OF ANY PATENT, COPYRIGHT OR OTHER INTELLECTUAL PROPERTY RIGHT.

ST PRODUCTS ARE NOT DESIGNED OR AUTHORIZED FOR USE IN: (A) SAFETY CRITICAL APPLICATIONS SUCH AS LIFE SUPPORTING, ACTIVE IMPLANTED DEVICES OR SYSTEMS WITH PRODUCT FUNCTIONAL SAFETY REQUIREMENTS; (B) AERONAUTIC APPLICATIONS; (C) AUTOMOTIVE APPLICATIONS OR ENVIRONMENTS, AND/OR (D) AEROSPACE APPLICATIONS OR ENVIRONMENTS. WHERE ST PRODUCTS ARE NOT DESIGNED FOR SUCH USE, THE PURCHASER SHALL USE PRODUCTS AT PURCHASER'S SOLE RISK, EVEN IF ST HAS BEEN INFORMED IN WRITING OF SUCH USAGE, UNLESS A PRODUCT IS EXPRESSLY DESIGNATED BY ST AS BEING INTENDED FOR "AUTOMOTIVE, AUTOMOTIVE SAFETY OR MEDICAL" INDUSTRY DOMAINS ACCORDING TO ST PRODUCT DESIGN SPECIFICATIONS. PRODUCTS FORMALLY ESCC, QML OR JAN QUALIFIED ARE DEEMED SUITABLE FOR USE IN AEROSPACE BY THE CORRESPONDING GOVERNMENTAL AGENCY.

Resale of ST products with provisions different from the statements and/or technical features set forth in this document shall immediately void any warranty granted by ST for the ST product or service described herein and shall not create or extend in any manner whatsoever, any liability of ST.

ST and the ST logo are trademarks or registered trademarks of ST in various countries.

Information in this document supersedes and replaces all information previously supplied.

The ST logo is a registered trademark of STMicroelectronics. All other names are the property of their respective owners.

© 2014 STMicroelectronics - All rights reserved

STMicroelectronics group of companies

Australia - Belgium - Brazil - Canada - China - Czech Republic - Finland - France - Germany - Hong Kong - India - Israel - Italy - Japan - Malaysia - Malta - Morocco - Philippines - Singapore - Spain - Sweden - Switzerland - United Kingdom - United States of America

www.st.com